



# 1. Flash the Math.

## FLASH CARDS

Cut out these cards along the **solid lines**.  
Fold along the **dotted lines** to make two-sided  
flash cards.



 Color and decorate  
your flash cards.  
Take your time, make  
them really fancy.  
Think about the  
numbers as you color.  
That will help you  
memorize the facts.

8	$2 \times 4 =$	14	$2 \times 7 =$	20	$2 \times 10 =$
6	$2 \times 3 =$	12	$9 \times 2 =$	18	$6 \times 2 =$
4	$2 \times 2 =$	10	$5 \times 2 =$	16	$8 \times 2 =$

# 2. Play the Math.

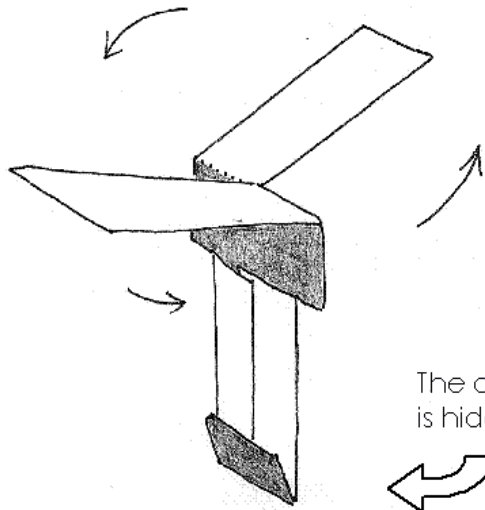
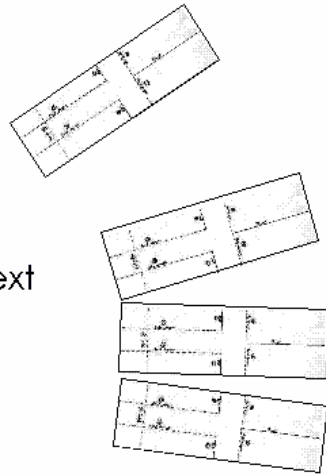
How fast can you say your math facts?  
Time yourself with the ...

## Helitimer

Cut along the solid lines and fold along the dotted lines as directed to make the Helitimers on each of the next two pages.

Hold the Helitimer as high as you can and drop it. It should **twirl** down to the ground.

Give the correct answer to the math fact on the Helitimer before the Helitimer hits the ground.



The Helitimer

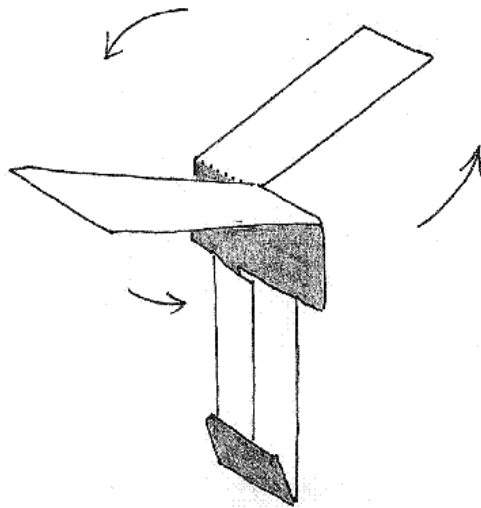
The answer to the math fact is hidden under these folds.

Color/decorate your Helitimer

$2 \times 2 =$	
$3 \times 2 =$	
$4 \times 2 =$	
$5 \times 2 =$	

# 2. Play the Math. Continued ...

## ...More Helitimers



<p>cut</p> <p>fold down</p> <p>6</p> <p>12</p> <p>fold down</p> <p>cut</p>	$6 \times 2 =$	<p>cut</p> <p>fold up</p> <p>cut</p> <p>fold down</p>
<p>cut</p> <p>fold down</p> <p>7</p> <p>14</p> <p>fold down</p> <p>cut</p>	$7 \times 2 =$	<p>cut</p> <p>fold up</p> <p>cut</p> <p>fold down</p>
<p>cut</p> <p>fold down</p> <p>8</p> <p>16</p> <p>fold down</p> <p>cut</p>	$8 \times 2 =$	<p>cut</p> <p>fold up</p> <p>cut</p> <p>fold down</p>
<p>cut</p> <p>fold down</p> <p>9</p> <p>18</p> <p>fold down</p> <p>cut</p>	$9 \times 2 =$	<p>cut</p> <p>fold up</p> <p>cut</p> <p>fold down</p>

# X-Ray Vision



Fold this sheet neatly and evenly in half, with the printed side on the outside. Solve as many of the problems as you can in **90 seconds**. When you are done, hold the folded paper - problem side facing you - up to the light. You will see the correct answers through the paper. **Check your answers!** If you have trouble seeing through the paper, press the two halves of the paper closer together.

81 8 11 6 11 2 81

11 8 41 81 11 8 4

81 41 11 6 41 81 81

2 6 02 8 11 8 41

11 10 10 8 41 11 81

## 3. Work the Math.

1st 90 Seconds of Math

The next three pages have timed drills. Do these problems with a stop-watch. How many can you get right in 90 seconds? Try to beat your own score on each page.

HOLD UP TO THE LIGHT TO CHECK ANSWERS

$$\begin{array}{ccccccc} 9 & 2 & 2 & 2 & 8 & 4 & 9 \\ \underline{\times 2} & \underline{\times 1} & \underline{\times 8} & \underline{\times 3} & \underline{\times 2} & \underline{\times 2} & \underline{\times 2} \end{array}$$

$$\begin{array}{ccccccc} 2 & 2 & 2 & 9 & 7 & 4 & 2 \\ \underline{\times 2} & \underline{\times 4} & \underline{\times 6} & \underline{\times 2} & \underline{\times 2} & \underline{\times 2} & \underline{\times 8} \end{array}$$

$$\begin{array}{ccccccc} 2 & 9 & 7 & 2 & 2 & 7 & 9 \\ \underline{\times 9} & \underline{\times 2} & \underline{\times 2} & \underline{\times 3} & \underline{\times 8} & \underline{\times 2} & \underline{\times 2} \end{array}$$

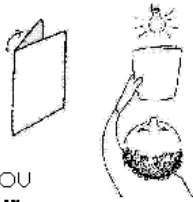
$$\begin{array}{ccccccc} 7 & 4 & 2 & 2 & 10 & 3 & 1 \\ \underline{\times 2} & \underline{\times 2} & \underline{\times 6} & \underline{\times 4} & \underline{\times 2} & \underline{\times 2} & \underline{\times 2} \end{array}$$

$$\begin{array}{ccccccc} 2 & 8 & 2 & 2 & 2 & 5 & 2 \\ \underline{\times 9} & \underline{\times 2} & \underline{\times 7} & \underline{\times 4} & \underline{\times 5} & \underline{\times 2} & \underline{\times 6} \end{array}$$

FOLD ALONG LINE

### 3. Work the Math. 2nd sheet

Fold this sheet neatly and evenly in half, with the printed side on the outside. Solve as many of the problems as you can in **90 seconds**. When you are done, hold the folded paper - problem side facing you - up to the light. You will see the correct answers through the paper. **Check your answers!** If you have trouble seeing through the paper, press the two halves of the paper closer together.



$$\begin{array}{r} 41 \\ \times 2 \\ \hline \end{array}$$

$$\begin{array}{r} 01 \\ \times 4 \\ \hline \end{array}$$

$$\begin{array}{r} 8 \\ \times 6 \\ \hline \end{array}$$

$$\begin{array}{r} 21 \\ \times 2 \\ \hline \end{array}$$

$$\begin{array}{r} 21 \\ \times 2 \\ \hline \end{array}$$

$$\begin{array}{r} 8 \\ \times 2 \\ \hline \end{array}$$

$$\begin{array}{r} 4 \\ \times 7 \\ \hline \end{array}$$

$$\begin{array}{r} 81 \\ \times 2 \\ \hline \end{array}$$

$$\begin{array}{r} 41 \\ \times 4 \\ \hline \end{array}$$

$$\begin{array}{r} 01 \\ \times 6 \\ \hline \end{array}$$

$$\begin{array}{r} 8 \\ \times 2 \\ \hline \end{array}$$

$$\begin{array}{r} 8 \\ \times 2 \\ \hline \end{array}$$

$$\begin{array}{r} 2 \\ \times 5 \\ \hline \end{array}$$

$$\begin{array}{r} 41 \\ \times 7 \\ \hline \end{array}$$

$$\begin{array}{r} 81 \\ \times 2 \\ \hline \end{array}$$

$$\begin{array}{r} 8 \\ \times 4 \\ \hline \end{array}$$

$$\begin{array}{r} 41 \\ \times 6 \\ \hline \end{array}$$

$$\begin{array}{r} 8 \\ \times 2 \\ \hline \end{array}$$

$$\begin{array}{r} 01 \\ \times 2 \\ \hline \end{array}$$

$$\begin{array}{r} 8 \\ \times 2 \\ \hline \end{array}$$

$$\begin{array}{r} 4 \\ \times 7 \\ \hline \end{array}$$

$$\begin{array}{r} 81 \\ \times 2 \\ \hline \end{array}$$

$$\begin{array}{r} 41 \\ \times 4 \\ \hline \end{array}$$

$$\begin{array}{r} 8 \\ \times 6 \\ \hline \end{array}$$

$$\begin{array}{r} 8 \\ \times 2 \\ \hline \end{array}$$

$$\begin{array}{r} 16 \\ \times 2 \\ \hline \end{array}$$

$$\begin{array}{r} 2 \\ \times 5 \\ \hline \end{array}$$

$$\begin{array}{r} 81 \\ \times 7 \\ \hline \end{array}$$

$$\begin{array}{r} 8 \\ \times 2 \\ \hline \end{array}$$

$$\begin{array}{r} 16 \\ \times 4 \\ \hline \end{array}$$

$$\begin{array}{r} 41 \\ \times 6 \\ \hline \end{array}$$

$$\begin{array}{r} 01 \\ \times 2 \\ \hline \end{array}$$

$$\begin{array}{r} 21 \\ \times 2 \\ \hline \end{array}$$

$$\begin{array}{r} 10 \\ \times 2 \\ \hline \end{array}$$

$$\begin{array}{r} 16 \\ \times 7 \\ \hline \end{array}$$

$$\begin{array}{r} 21 \\ \times 2 \\ \hline \end{array}$$

$$\begin{array}{r} 21 \\ \times 4 \\ \hline \end{array}$$

$$\begin{array}{r} 10 \\ \times 6 \\ \hline \end{array}$$

$$\begin{array}{r} 8 \\ \times 2 \\ \hline \end{array}$$

$$\begin{array}{r} 20 \\ \times 2 \\ \hline \end{array}$$

$$\begin{array}{r} 16 \\ \times 2 \\ \hline \end{array}$$

$$\begin{array}{r} 81 \\ \times 7 \\ \hline \end{array}$$

### 3. Work the Math.

#### 2nd 90 Seconds of Math

Hold up to light to check answers

$$\begin{array}{r} 2 \\ \times 2 \\ \hline \end{array}$$

$$\begin{array}{r} 2 \\ \times 4 \\ \hline \end{array}$$

$$\begin{array}{r} 2 \\ \times 6 \\ \hline \end{array}$$

$$\begin{array}{r} 6 \\ \times 2 \\ \hline \end{array}$$

$$\begin{array}{r} 3 \\ \times 2 \\ \hline \end{array}$$

$$\begin{array}{r} 2 \\ \times 5 \\ \hline \end{array}$$

$$\begin{array}{r} 2 \\ \times 7 \\ \hline \end{array}$$

$$\begin{array}{r} 7 \\ \times 2 \\ \hline \end{array}$$

$$\begin{array}{r} 2 \\ \times 1 \\ \hline \end{array}$$

$$\begin{array}{r} 4 \\ \times 2 \\ \hline \end{array}$$

$$\begin{array}{r} 2 \\ \times 3 \\ \hline \end{array}$$

$$\begin{array}{r} 5 \\ \times 2 \\ \hline \end{array}$$

$$\begin{array}{r} 2 \\ \times 7 \\ \hline \end{array}$$

$$\begin{array}{r} 9 \\ \times 2 \\ \hline \end{array}$$

$$\begin{array}{r} 2 \\ \times 2 \\ \hline \end{array}$$

$$\begin{array}{r} 2 \\ \times 4 \\ \hline \end{array}$$

$$\begin{array}{r} 5 \\ \times 2 \\ \hline \end{array}$$

$$\begin{array}{r} 4 \\ \times 2 \\ \hline \end{array}$$

$$\begin{array}{r} 7 \\ \times 2 \\ \hline \end{array}$$

$$\begin{array}{r} 2 \\ \times 4 \\ \hline \end{array}$$

$$\begin{array}{r} 2 \\ \times 8 \\ \hline \end{array}$$

$$\begin{array}{r} 9 \\ \times 2 \\ \hline \end{array}$$

$$\begin{array}{r} 2 \\ \times 1 \\ \hline \end{array}$$

$$\begin{array}{r} 2 \\ \times 8 \\ \hline \end{array}$$

$$\begin{array}{r} 2 \\ \times 3 \\ \hline \end{array}$$

$$\begin{array}{r} 4 \\ \times 2 \\ \hline \end{array}$$

$$\begin{array}{r} 2 \\ \times 7 \\ \hline \end{array}$$

$$\begin{array}{r} 9 \\ \times 2 \\ \hline \end{array}$$

$$\begin{array}{r} 8 \\ \times 2 \\ \hline \end{array}$$

$$\begin{array}{r} 2 \\ \times 5 \\ \hline \end{array}$$

$$\begin{array}{r} 2 \\ \times 6 \\ \hline \end{array}$$

$$\begin{array}{r} 5 \\ \times 2 \\ \hline \end{array}$$

$$\begin{array}{r} 2 \\ \times 7 \\ \hline \end{array}$$

$$\begin{array}{r} 2 \\ \times 8 \\ \hline \end{array}$$

$$\begin{array}{r} 2 \\ \times 3 \\ \hline \end{array}$$

$$\begin{array}{r} 9 \\ \times 2 \\ \hline \end{array}$$

$$\begin{array}{r} 8 \\ \times 2 \\ \hline \end{array}$$

$$\begin{array}{r} 10 \\ \times 2 \\ \hline \end{array}$$

$$\begin{array}{r} 2 \\ \times 4 \\ \hline \end{array}$$

$$\begin{array}{r} 2 \\ \times 5 \\ \hline \end{array}$$

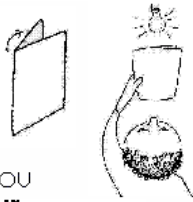
$$\begin{array}{r} 6 \\ \times 2 \\ \hline \end{array}$$

$$\begin{array}{r} 2 \\ \times 6 \\ \hline \end{array}$$

FOLD ALONG LINE

### 3. Work the Math. 3rd sheet

Fold this sheet neatly and evenly in half, with the printed side on the outside. Solve as many of the problems as you can in **90 seconds**. When you are done, hold the folded paper - problem side facing you - up to the light. You will see the correct answers through the paper. **Check your answers!** If you have trouble seeing through the paper, press the two halves of the paper closer together.



41 01 81 18 02 8 4

81 41 01 6 18 2 81

18 02 18 81 12 8 4

81 41 01 6 8 2 81

81 18 41 8 12 01 4

12 02 01 8 41 6 81

### 3. Work the Math.

3rd 90 Seconds of Math  
Hold up to light to check answers

$$\begin{array}{r} 2 \\ \times 2 \\ \hline \end{array} \quad \begin{array}{r} 4 \\ \times 2 \\ \hline \end{array} \quad \begin{array}{r} 10 \\ \times 2 \\ \hline \end{array} \quad \begin{array}{r} 2 \\ \times 8 \\ \hline \end{array} \quad \begin{array}{r} 9 \\ \times 2 \\ \hline \end{array} \quad \begin{array}{r} 2 \\ \times 5 \\ \hline \end{array} \quad \begin{array}{r} 7 \\ \times 2 \\ \hline \end{array}$$

$$\begin{array}{r} 2 \\ \times 9 \\ \hline \end{array} \quad \begin{array}{r} 2 \\ \times 1 \\ \hline \end{array} \quad \begin{array}{r} 2 \\ \times 8 \\ \hline \end{array} \quad \begin{array}{r} 3 \\ \times 2 \\ \hline \end{array} \quad \begin{array}{r} 2 \\ \times 5 \\ \hline \end{array} \quad \begin{array}{r} 7 \\ \times 2 \\ \hline \end{array} \quad \begin{array}{r} 2 \\ \times 9 \\ \hline \end{array}$$

$$\begin{array}{r} 2 \\ \times 2 \\ \hline \end{array} \quad \begin{array}{r} 2 \\ \times 4 \\ \hline \end{array} \quad \begin{array}{r} 2 \\ \times 6 \\ \hline \end{array} \quad \begin{array}{r} 9 \\ \times 2 \\ \hline \end{array} \quad \begin{array}{r} 8 \\ \times 2 \\ \hline \end{array} \quad \begin{array}{r} 10 \\ \times 2 \\ \hline \end{array} \quad \begin{array}{r} 2 \\ \times 8 \\ \hline \end{array}$$

$$\begin{array}{r} 2 \\ \times 9 \\ \hline \end{array} \quad \begin{array}{r} 2 \\ \times 1 \\ \hline \end{array} \quad \begin{array}{r} 4 \\ \times 2 \\ \hline \end{array} \quad \begin{array}{r} 2 \\ \times 3 \\ \hline \end{array} \quad \begin{array}{r} 2 \\ \times 5 \\ \hline \end{array} \quad \begin{array}{r} 2 \\ \times 7 \\ \hline \end{array} \quad \begin{array}{r} 9 \\ \times 2 \\ \hline \end{array}$$

$$\begin{array}{r} 2 \\ \times 2 \\ \hline \end{array} \quad \begin{array}{r} 2 \\ \times 5 \\ \hline \end{array} \quad \begin{array}{r} 6 \\ \times 2 \\ \hline \end{array} \quad \begin{array}{r} 2 \\ \times 4 \\ \hline \end{array} \quad \begin{array}{r} 2 \\ \times 7 \\ \hline \end{array} \quad \begin{array}{r} 8 \\ \times 2 \\ \hline \end{array} \quad \begin{array}{r} 9 \\ \times 2 \\ \hline \end{array}$$

$$\begin{array}{r} 2 \\ \times 9 \\ \hline \end{array} \quad \begin{array}{r} 3 \\ \times 2 \\ \hline \end{array} \quad \begin{array}{r} 2 \\ \times 7 \\ \hline \end{array} \quad \begin{array}{r} 4 \\ \times 2 \\ \hline \end{array} \quad \begin{array}{r} 2 \\ \times 5 \\ \hline \end{array} \quad \begin{array}{r} 10 \\ \times 2 \\ \hline \end{array} \quad \begin{array}{r} 2 \\ \times 6 \\ \hline \end{array}$$

FOLD ALONG LINE

### 3. Work the Math. Mastery Test

TO **BEAT** THE 2x LEVEL,

take this final test with an adult. Have the adult correct the test and sign at the bottom if you get ALL problems right in **90 secs.**

$$\begin{array}{r} 2 \\ \times 2 \\ \hline \end{array} \quad \begin{array}{r} 7 \\ \times 2 \\ \hline \end{array} \quad \begin{array}{r} 2 \\ \times 6 \\ \hline \end{array} \quad \begin{array}{r} 2 \\ \times 8 \\ \hline \end{array} \quad \begin{array}{r} 3 \\ \times 2 \\ \hline \end{array} \quad \begin{array}{r} 2 \\ \times 5 \\ \hline \end{array} \quad \begin{array}{r} 6 \\ \times 2 \\ \hline \end{array}$$

$$\begin{array}{r} 9 \\ \times 2 \\ \hline \end{array} \quad \begin{array}{r} 2 \\ \times 1 \\ \hline \end{array} \quad \begin{array}{r} 2 \\ \times 8 \\ \hline \end{array} \quad \begin{array}{r} 2 \\ \times 3 \\ \hline \end{array} \quad \begin{array}{r} 8 \\ \times 2 \\ \hline \end{array} \quad \begin{array}{r} 4 \\ \times 2 \\ \hline \end{array} \quad \begin{array}{r} 9 \\ \times 2 \\ \hline \end{array}$$

$$\begin{array}{r} 2 \\ \times 2 \\ \hline \end{array} \quad \begin{array}{r} 2 \\ \times 4 \\ \hline \end{array} \quad \begin{array}{r} 2 \\ \times 6 \\ \hline \end{array} \quad \begin{array}{r} 9 \\ \times 2 \\ \hline \end{array} \quad \begin{array}{r} 7 \\ \times 2 \\ \hline \end{array} \quad \begin{array}{r} 4 \\ \times 2 \\ \hline \end{array} \quad \begin{array}{r} 2 \\ \times 8 \\ \hline \end{array}$$

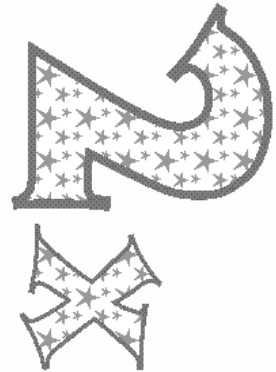
$$\begin{array}{r} 2 \\ \times 9 \\ \hline \end{array} \quad \begin{array}{r} 9 \\ \times 2 \\ \hline \end{array} \quad \begin{array}{r} 7 \\ \times 2 \\ \hline \end{array} \quad \begin{array}{r} 2 \\ \times 3 \\ \hline \end{array} \quad \begin{array}{r} 2 \\ \times 8 \\ \hline \end{array} \quad \begin{array}{r} 7 \\ \times 2 \\ \hline \end{array} \quad \begin{array}{r} 9 \\ \times 2 \\ \hline \end{array}$$

$$\begin{array}{r} 7 \\ \times 2 \\ \hline \end{array} \quad \begin{array}{r} 4 \\ \times 2 \\ \hline \end{array} \quad \begin{array}{r} 2 \\ \times 6 \\ \hline \end{array} \quad \begin{array}{r} 2 \\ \times 4 \\ \hline \end{array} \quad \begin{array}{r} 10 \\ \times 2 \\ \hline \end{array} \quad \begin{array}{r} 3 \\ \times 2 \\ \hline \end{array} \quad \begin{array}{r} 1 \\ \times 2 \\ \hline \end{array}$$

$$\begin{array}{r} 2 \\ \times 9 \\ \hline \end{array} \quad \begin{array}{r} 8 \\ \times 2 \\ \hline \end{array} \quad \begin{array}{r} 2 \\ \times 7 \\ \hline \end{array} \quad \begin{array}{r} 2 \\ \times 4 \\ \hline \end{array} \quad \begin{array}{r} 2 \\ \times 5 \\ \hline \end{array} \quad \begin{array}{r} 5 \\ \times 2 \\ \hline \end{array} \quad \begin{array}{r} 2 \\ \times 6 \\ \hline \end{array}$$

100% of these problems were answered correctly. Signed \_\_\_\_\_

# Congratulations



\_\_\_\_\_ name of student

has **Beaten** the 2x Level. This student has mastery

over multiplying single digit numbers to 2.

signed \_\_\_\_\_