

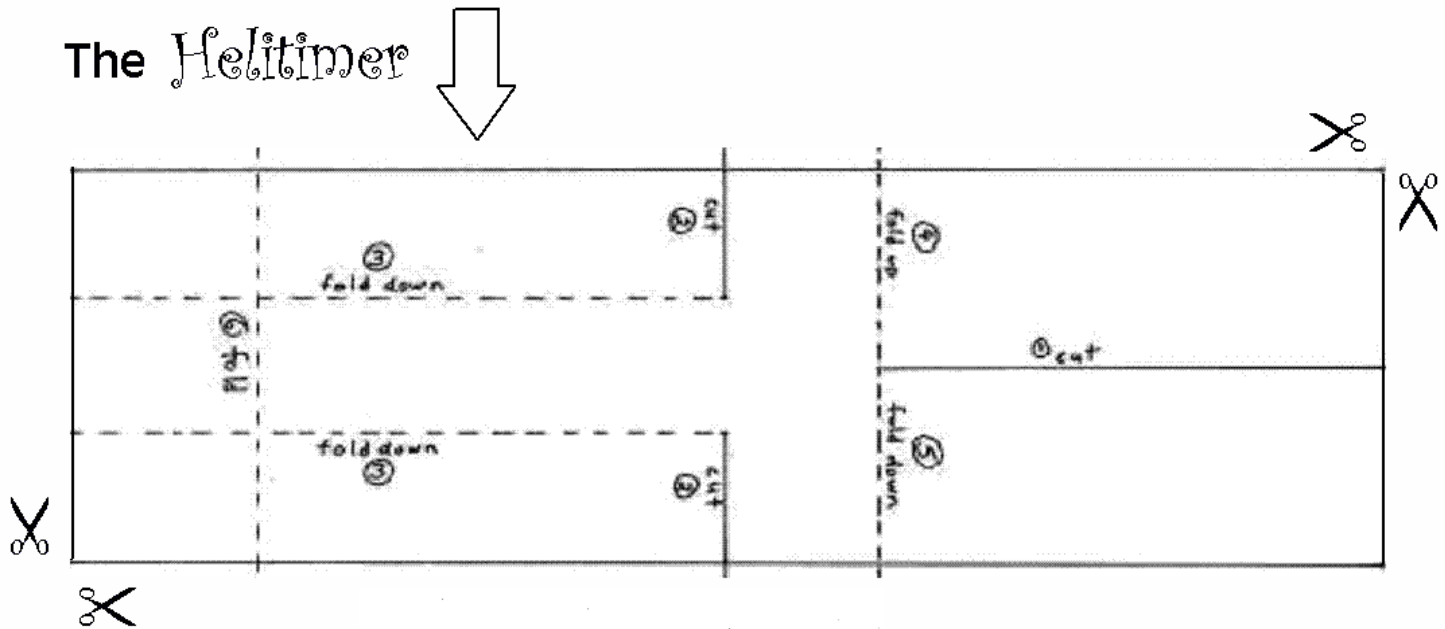
MATH FACTS TIMER

How fast can you say your math facts?
Time yourself with the ...

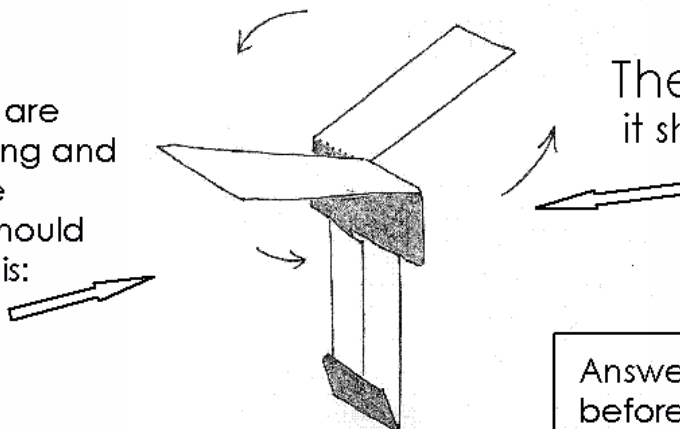
Helitimer

1. Cut along the lines shown to make the Helitimer below.
2. Cut and fold the Helitimer as directed.
3. Have someone give you a math fact to answer. You can use flash cards if you want.
4. Hold the Helitimer as high as you can and drop it. It should *twirl* down to the ground.

Give the correct answer to the math fact you were given before the Helitimer hits the ground.



When you are done cutting and folding the Helitimer should look like this:



The Helitimer:
it should *twirl* to the ground.

Answer the math fact
before the Helitimer hits the ground!

Color/decorate your Helitimer