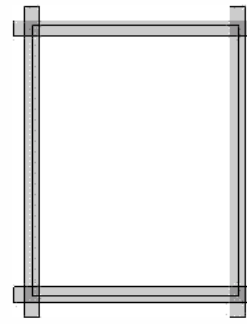


Target

You will need:
a sheet of paper
tape
a coin
pencil

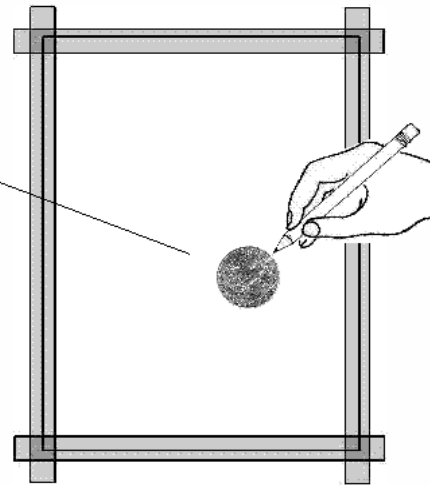
One:

Tape a piece of paper to a table or to the floor.
Tape so the edge of the paper is all taped down.



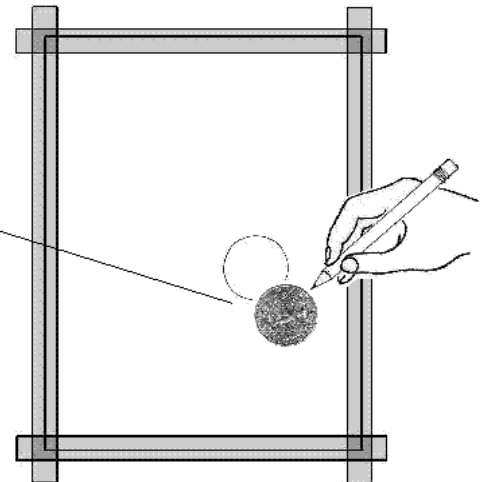
Two:

Decide on a starting line outside the bounds of the paper. The first player flicks a coin trying to get it on the paper. The player then takes the pencil and traces the circumference of the coin where it landed, making a target.



Three:

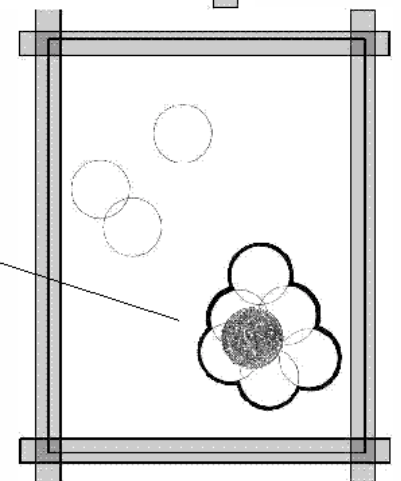
The next player takes the coin off the paper to take his turn shooting the coin. This player now shoots from the starting line and also traces the spot where his shot lands.



Four:

The play continues. As the traced circles overlap, their outermost perimeters merge, making a larger target.

The first player to land the coin completely within the merged outline, without touching any outer perimeter, wins.



You can continue to use the same piece of paper for several games if you erase or cross out the lines from the previous game.